

NCE N-Channel Enhancement Mode Power MOSFET

Description

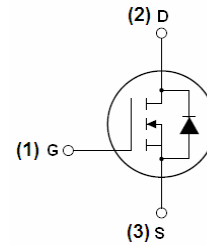
The NCE75H35TC uses advanced trench technology and design to provide excellent $R_{DS(ON)}$ with low gate charge. It can be used in automotive applications and a wide variety of other applications.

General Features

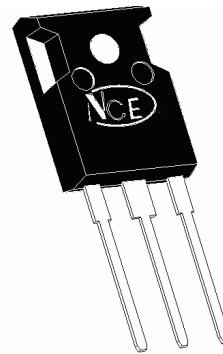
- $V_{DSS} = 75V, I_D = 350A$
 $R_{DS(ON)} < 2.2m\Omega @ V_{GS} = 10V$ (Typ: 1.7 m Ω)
- Good stability and uniformity with high E_{AS}
- Special process technology for high ESD capability
- High density cell design for ultra low R_{dson}
- Fully characterized avalanche voltage and current
- Excellent package for good heat dissipation

Application

- Automotive applications
- Hard switched and high frequency circuits
- Uninterruptible power supply



Schematic diagram



TO-247 top view

100% UIS TESTED!

100% ΔV_{ds} TESTED!

Package Marking and Ordering Information

Device Marking	Device	Device Package	Reel Size	Tape width	Quantity
NCE75H35TC	NCE75H35TC	TO-247	-	-	-

Absolute Maximum Ratings ($T_C = 25^\circ C$ unless otherwise noted)

Parameter	Symbol	Limit	Unit
Drain-Source Voltage	V_{DSS}	75	V
Gate-Source Voltage	V_{GS}	± 20	V
Drain Current-Continuous	I_D	350	A
Drain Current-Continuous($T_C = 100^\circ C$)	$I_D(100^\circ C)$	270	A
Pulsed Drain Current	I_{DM}	1280	A
Maximum Power Dissipation	P_D	460	W
Derating factor		3.07	W/ $^\circ C$
Single pulse avalanche energy ^(Note 3)	E_{AS}	3500	mJ
Operating Junction and Storage Temperature Range	T_J, T_{STG}	-55 To 175	$^\circ C$

Thermal Characteristic

Thermal Resistance, Junction-to-Case ^(Note 1)	$R_{\theta JC}$	0.33	$^\circ C/W$
--	-----------------	------	--------------

Electrical Characteristics (T_C=25°C unless otherwise noted)

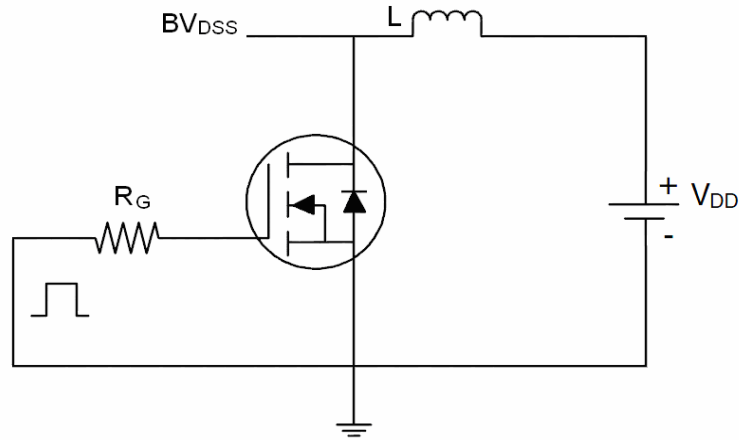
Parameter	Symbol	Condition	Min	Typ	Max	Unit
Off Characteristics						
Drain-Source Breakdown Voltage	BV _{DSS}	V _{GS} =0V, I _D =250μA	75	86	-	V
Zero Gate Voltage Drain Current	I _{DSS}	V _{DS} =75V, V _{GS} =0V	-	-	1	μA
Gate-Body Leakage Current	I _{GSS}	V _{GS} =±20V, V _{DS} =0V	-	-	±200	nA
On Characteristics						
Gate Threshold Voltage	V _{GS(th)}	V _{DS} =V _{GS} , I _D =250μA	2	3	4	V
Drain-Source On-State Resistance	R _{DS(ON)}	V _{GS} =10V, I _D =40A	-	1.7	2.2	mΩ
Forward Transconductance	g _{FS}	V _{DS} =25V, I _D =40A	100	-	-	S
Dynamic Characteristics						
Input Capacitance	C _{iss}	V _{DS} =25V, V _{GS} =0V, F=1.0MHz	-	25500	-	PF
Output Capacitance	C _{oss}		-	1652	-	PF
Reverse Transfer Capacitance	C _{rss}		-	1261	-	PF
Switching Characteristics						
Turn-on Delay Time	t _{d(on)}	V _{DD} =40V, I _D =40A V _{GS} =10V, R _{GEN} =1.2Ω (Note2)	-	50	-	nS
Turn-on Rise Time	t _r		-	235	-	nS
Turn-Off Delay Time	t _{d(off)}		-	180	-	nS
Turn-Off Fall Time	t _f		-	280	-	nS
Total Gate Charge	Q _g	V _{DS} =40V, I _D =40A, V _{GS} =10V ^(Note2)	-	586	-	nC
Gate-Source Charge	Q _{gs}		-	120	-	nC
Gate-Drain Charge	Q _{gd}		-	200	-	nC
Drain-Source Diode Characteristics						
Diode Forward Voltage	V _{SD}	V _{GS} =0V, I _S =40A	-	-	1.2	V
Reverse Recovery Time	t _{rr}	T _J = 25°C, I _F = 40A di/dt = 100A/μs ^(Note2)	-	170	-	nS
Reverse Recovery Charge	Q _{rr}		-	500	-	nC

Notes:

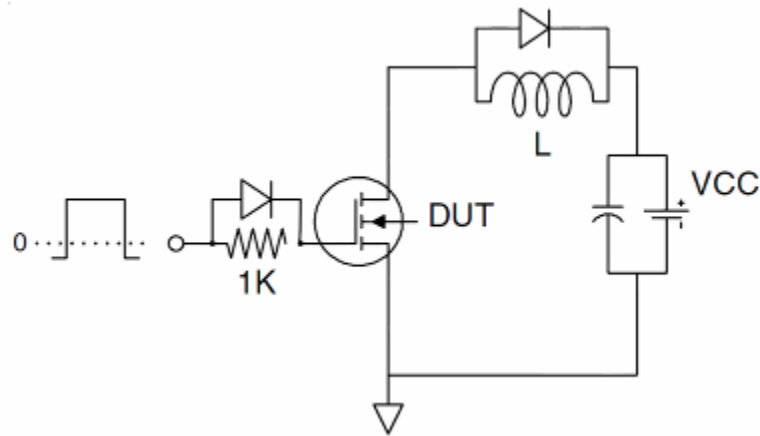
1. Surface Mounted on FR4 Board, t ≤ 10 sec.
2. Pulse Test: Pulse Width ≤ 400μs, Duty Cycle ≤ 2%.
3. EAS condition: T_J=25°C, V_{DD}=37.5V, V_G=10V, L=1mH, R_g=25Ω
4. I_{SD}≤125A, di/dt≤260A/μs, V_{DD}≤V_{(BR)DSS}, T_J ≤175°C

Test circuit

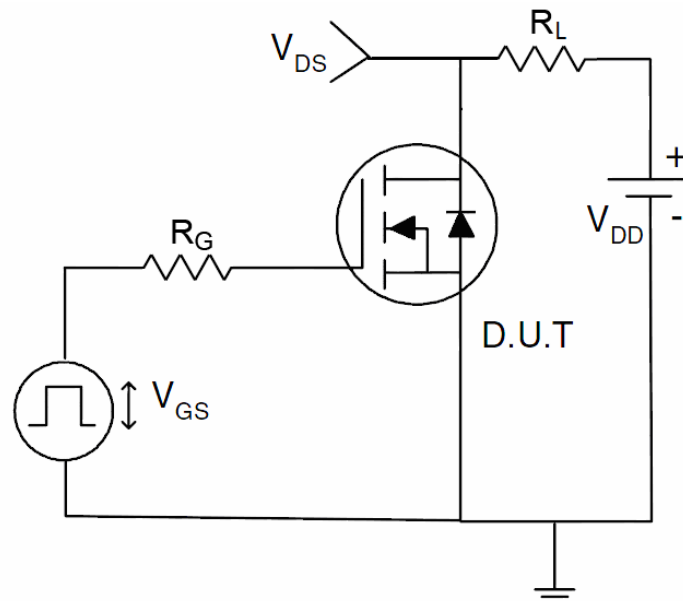
1) E_{AS} test Circuit



2) Gate charge test Circuit



3) Switch Time Test Circuit



Typical Electrical and Thermal Characteristics

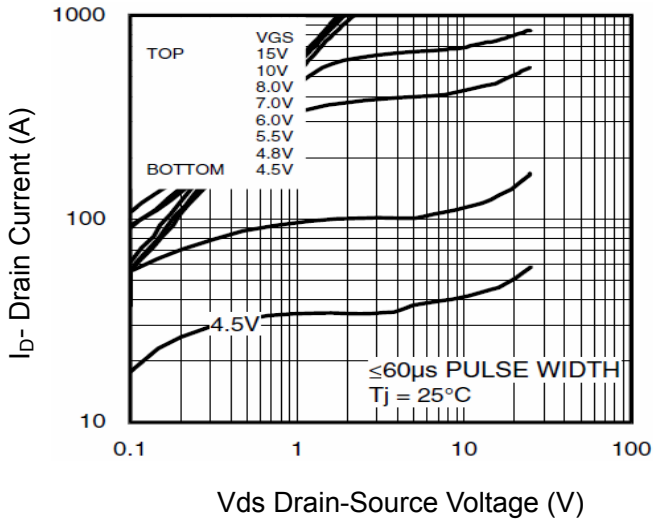


Figure 1 Output Characteristics

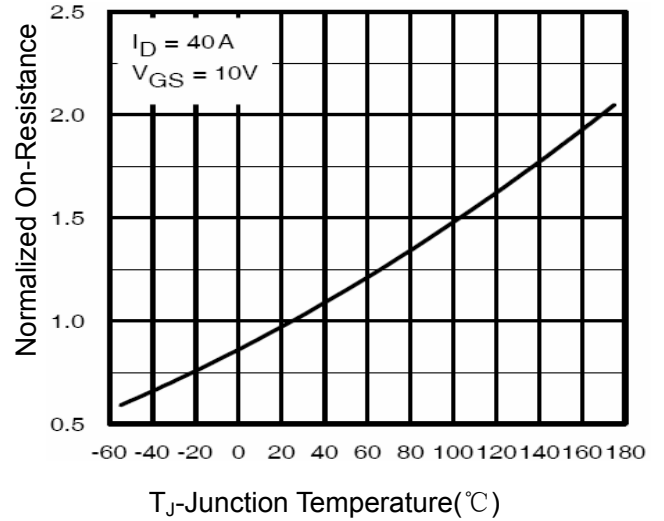


Figure 4 Rdson-Junction Temperature

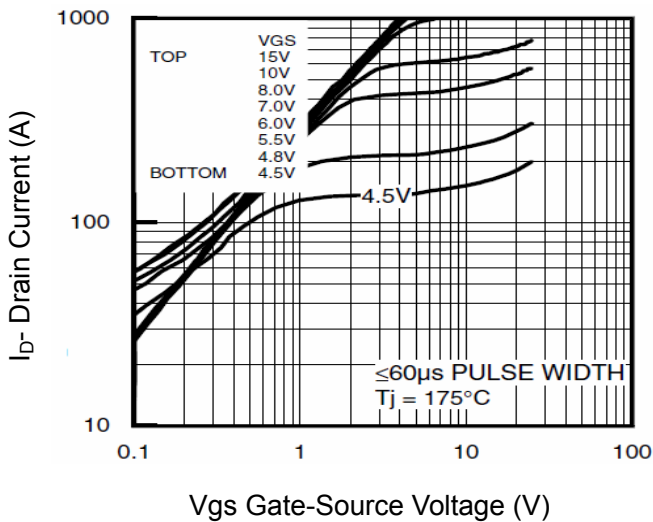


Figure 2 Transfer Characteristics

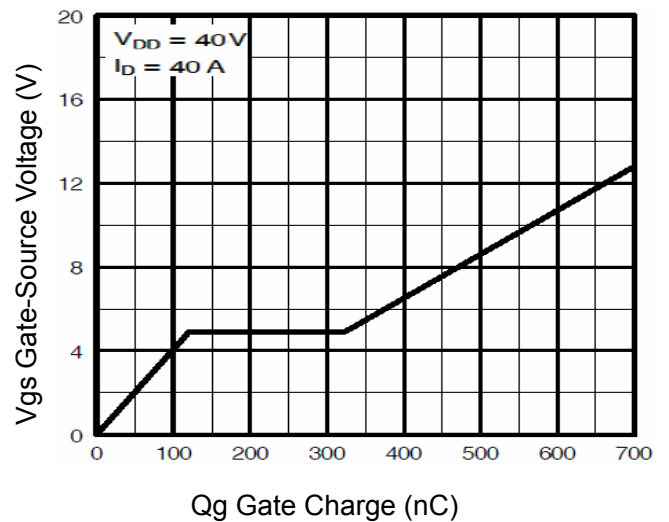


Figure 5 Gate Charge

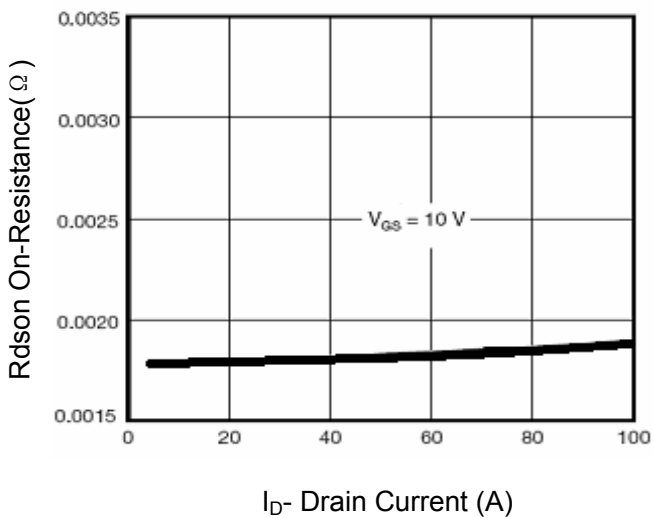


Figure 3 Rdson- Drain Current

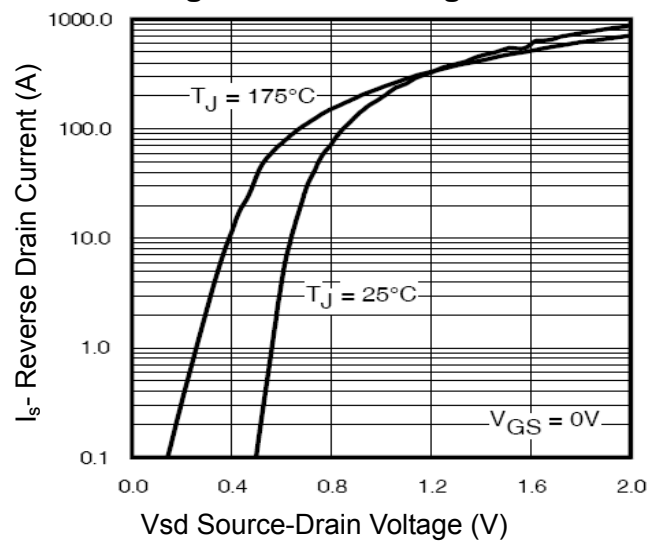
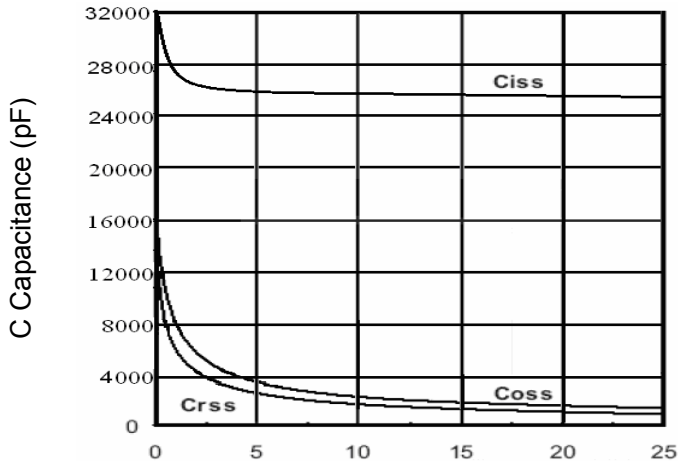
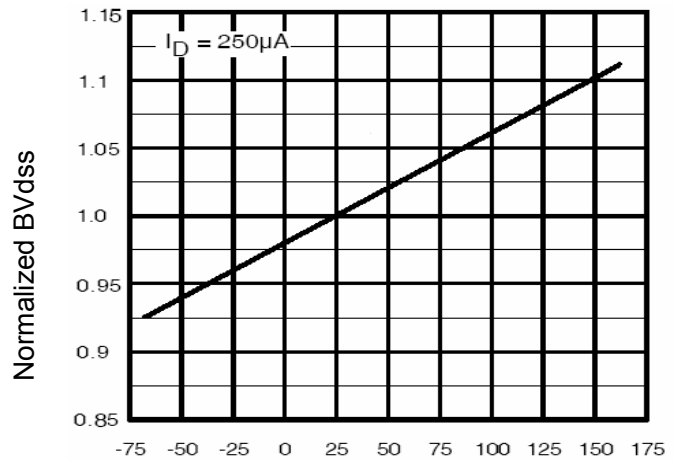


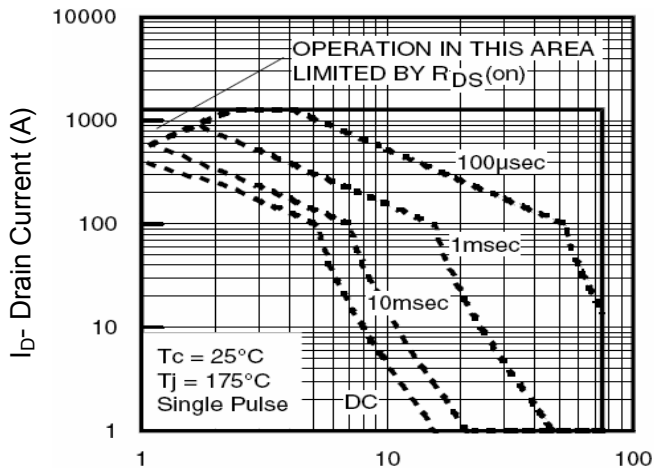
Figure 6 Source- Drain Diode Forward



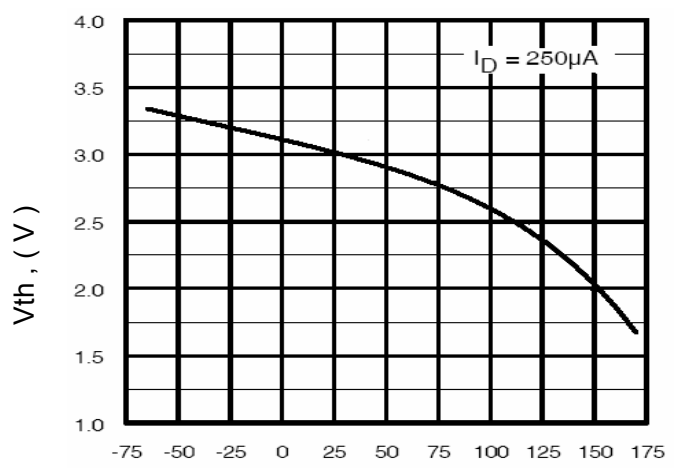
Vds Drain-Source Voltage (V)
Figure 7 Capacitance vs Vds



T_J-Junction Temperature(°C)
Figure 9 BV_{DSS} vs Junction Temperature



Vds Drain-Source Voltage (V)
Figure 8 Safe Operation Area



T_J-Junction Temperature(°C)
Figure 10 V_{GS(th)} vs Junction Temperature

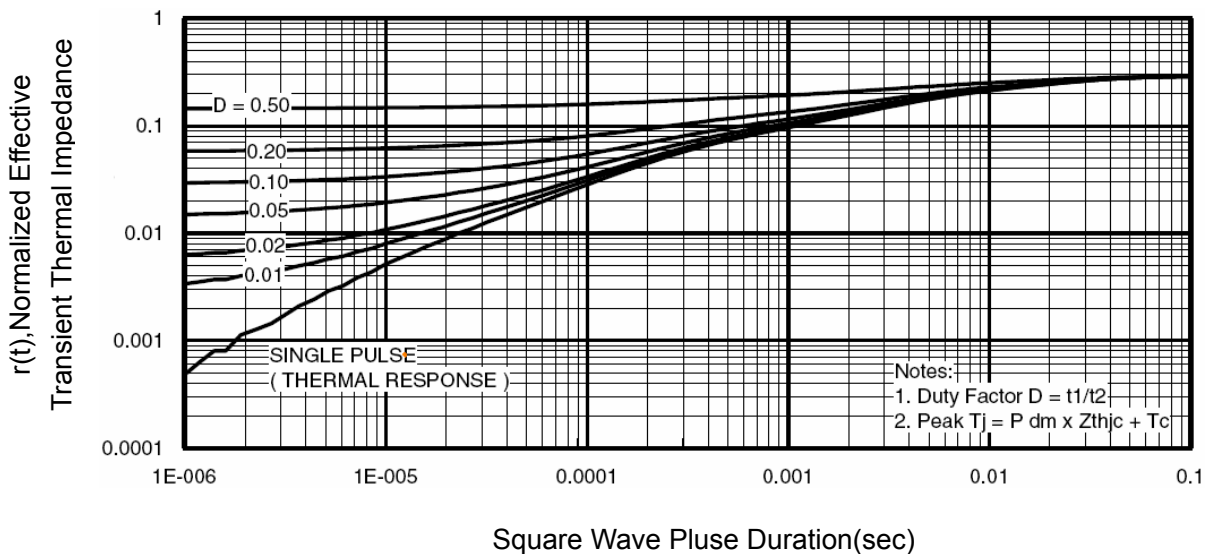
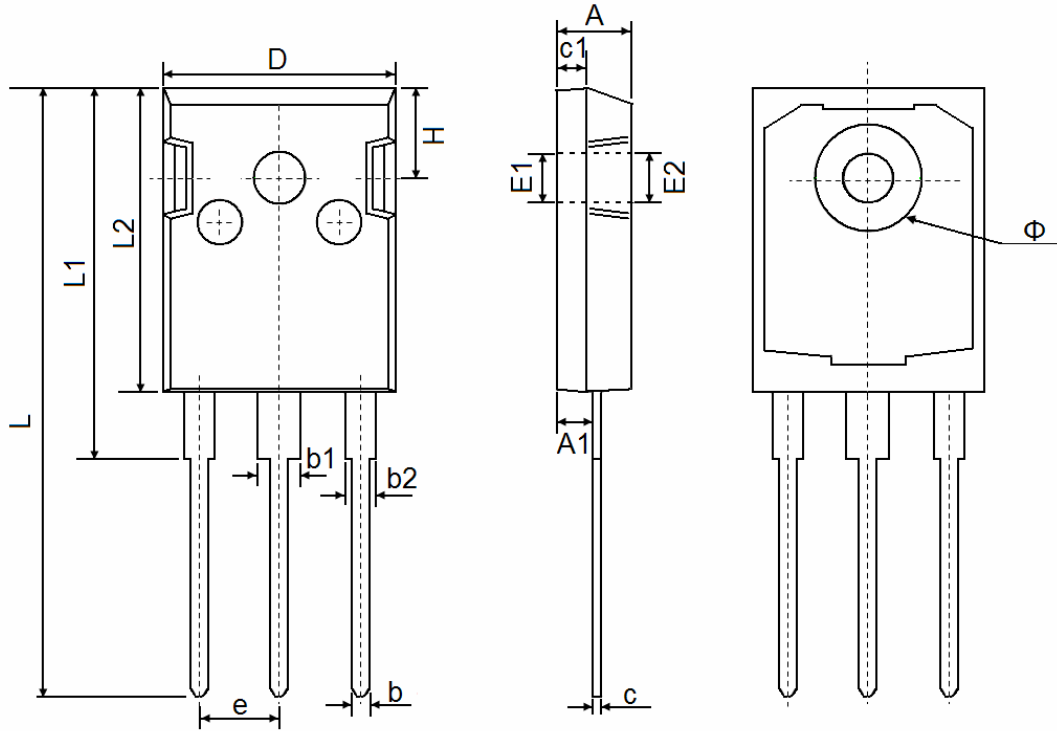


Figure 11 Normalized Maximum Transient Thermal Impedance

TO-247 Package Information


Symbol	Dimensions In Millimeters		Dimensions In Inches	
	Min.	Max.	Min.	Max.
A	4.850	5.150	0.191	0.200
A1	2.200	2.600	0.087	0.102
b	1.000	1.400	0.039	0.055
b1	2.800	3.200	0.110	0.126
b2	1.800	2.200	0.071	0.087
c	0.500	0.700	0.020	0.028
c1	1.900	2.100	0.075	0.083
D	15.450	15.750	0.608	0.620
E1	3.500 REF		0.138 REF	
E2	3.600 REF		0.142 REF	
L	40.900	41.300	1.610	1.626
L1	24.800	25.100	0.976	0.988
L2	20.300	20.600	0.799	0.811
Φ	7.100	7.300	0.280	0.287
e	5.450 TYP		0.215 TYP	
H	5.980 REF		0.235 REF	

Attention:

- Any and all NCE power products described or contained herein do not have specifications that can handle applications that require extremely high levels of reliability, such as life-support systems, aircraft's control systems, or other applications whose failure can be reasonably expected to result in serious physical and/or material damage. Consult with your NCE power representative nearest you before using any NCE power products described or contained herein in such applications.
- NCE power assumes no responsibility for equipment failures that result from using products at values that exceed, even momentarily, rated values (such as maximum ratings, operating condition ranges, or other parameters) listed in products specifications of any and all NCE power products described or contained herein.
- Specifications of any and all NCE power products described or contained herein stipulate the performance, characteristics, and functions of the described products in the independent state, and are not guarantees of the performance, characteristics, and functions of the described products as mounted in the customer's products or equipment. To verify symptoms and states that cannot be evaluated in an independent device, the customer should always evaluate and test devices mounted in the customer's products or equipment.
- NCE power Semiconductor CO.,LTD. strives to supply high-quality high-reliability products. However, any and all semiconductor products fail with some probability. It is possible that these probabilistic failures could give rise to accidents or events that could endanger human lives, that could give rise to smoke or fire, or that could cause damage to other property. When designing equipment, adopt safety measures so that these kinds of accidents or events cannot occur. Such measures include but are not limited to protective circuits and error prevention circuits for safe design, redundant design, and structural design.
- In the event that any or all NCE power products(including technical data, services) described or contained herein are controlled under any of applicable local export control laws and regulations, such products must not be exported without obtaining the export license from the authorities concerned in accordance with the above law.
- No part of this publication may be reproduced or transmitted in any form or by any means, electronic or mechanical, including photocopying and recording, or any information storage or retrieval system, or otherwise, without the prior written permission of NCE power Semiconductor CO.,LTD.
- Information (including circuit diagrams and circuit parameters) herein is for example only ; it is not guaranteed for volume production. NCE power believes information herein is accurate and reliable, but no guarantees are made or implied regarding its use or any infringements of intellectual property rights or other rights of third parties.
- Any and all information described or contained herein are subject to change without notice due to product/technology improvement, etc. When designing equipment, refer to the "Delivery Specification" for the NCE power product that you intend to use.
- This catalog provides information as of Sep.2010. Specifications and information herein are subject to change without notice.