



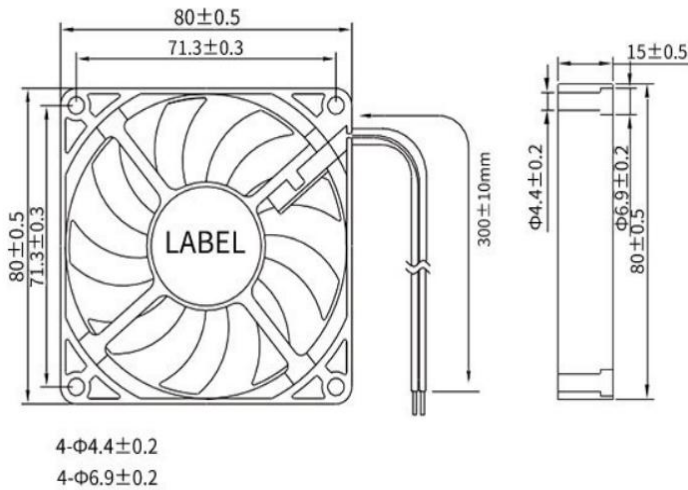
## DC BRUSHLESS FAN

AF9D8015B 80\*80\*15mm

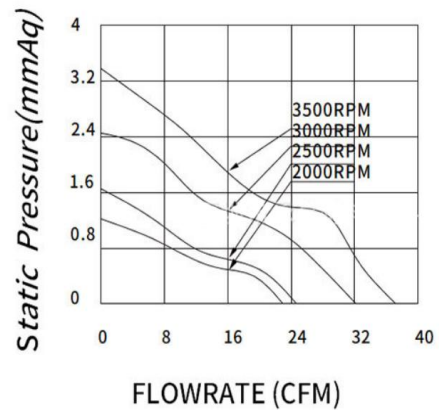
Motor:DC Brushless  
 Bearing:Ball, sleeve, Hydraulic  
 Shell frame: PBT UL94V-0  
 Fan blade: PBT UL94V-0  
 Insulation:Class B  
 Wire:AWG#26UL1007 (optional)  
 PIN1:BLACK WIRE---(-)  
 PIN2:RED WIRE---(+)



DIMENSIONS DRAWING(unit:mm)



P@Q CURVE(AT RATED VOLTAGE)



Model	Bearing Mode①	Rate d	Operating	Rated	Rated	Speed	Maximum air Flow		Maximum Air pressure		Noise
		Volt	voltage range	current	input power		M3/min	CFM	mmH2O	InH2O	
PART. NO.		VDC	VDC	Amp	Walt	R. P. M	M3/min	CFM	mmH2O	InH2O	dB-A
AF9D8015B05L	B=Ball S=Sleeve H=Hydraulic	5	1.8~3~6	0.24	1.20	2000	0.028	22.80	1.22	0.048	30.4
AF9D8015B12L		12	1.8~3~13.5	0.1	1.20	2000	0.029	22.80	1.20	0.073	30.4
AF9D8015B12M		12	1.8~3~13.5	0.13	1.56	2500	0.041	25.00	1.65	0.128	33.5
AF9D8015B12H		12	1.8~3~13.5	0.21	2.52	3000	0.049	31.90	2.44	0.153	36.2
AF9D8015B12HH		12	1.8~3~13.5	0.3	3.60	3500	0.067	36.60	3.38	0.27	40.3
AF9D8015B24L		24	18~26.5	0.06	1.44	2000	0.029	22.80	1.20	0.073	30.4
AF9D8015B24M		24	18~26.5	0.08	1.92	2500	0.041	25.00	1.65	0.128	33.5

AF9D8015B24H	B=Ball	24	18~26.5	0.1	2.40	3000	0.049	31.90	2.44	0.153	36.2
AF9D8015B24HH	S=Sleeve H=Hydraulic	24	18~26.5	0.18	4.32	3500	0.067	36.60	3.38	0.27	40.3

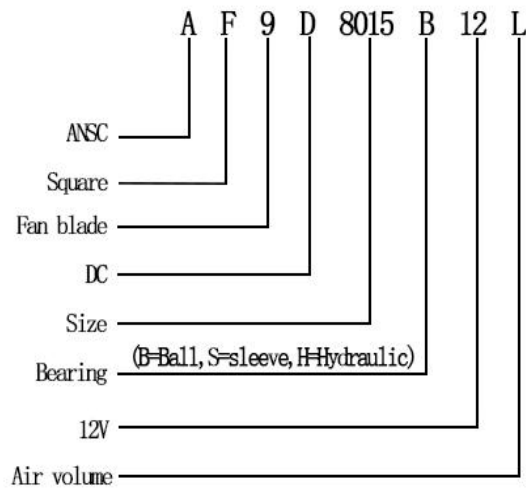
① Bearing Mode: Ball / Sleeve / Hydraulic / Ball (UL) / Sleeve (UL) Hydraulic (UL)

② X=Function: FG RD RDL LD PWM TP VC RC CS RP SS AS CL IPX5

③ A=Plug

④ C=Customized by customers: Air volume, Air duct, Movement, Service life, Temperature, Noise, Material, Mold. etc.

导引: 编码规则 Code Rule



\*PROPRIETARY AND CONFIDENTIAL , THE INFORMATION CONTAINED IN THIS DRAWING IS THE SOLE PROPERTY OF <ALL NEW SEMI>. ANY REPRODUCTION IN PART OR AS A WHOLE WITHOUT THE WRITTEN PERMISSION OF <ALL NEW SEMI> IS PROHIBITED.

<https://allnewsemi.com>

<https://allnewsemi.shop>