



# DC Centrifugal FAN

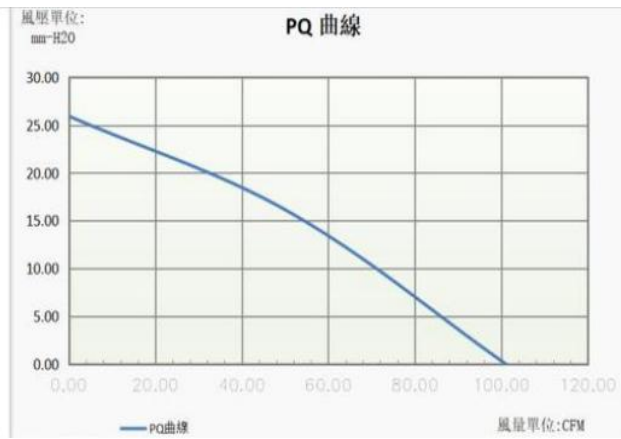
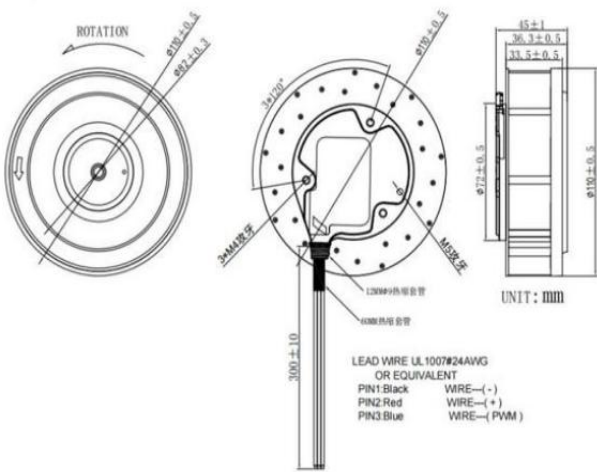
**AQL11045B 110\*45MM**

Motor:DC Centrifugal  
 Bearing:Two Ball  
 Shell frame: PBT UL94V\_0  
 Fan blade: PBT UL94V\_0  
 Insulation:Class B  
 Wire:AWG#26UL1007 (optional)  
 PIN1:BLACK WIRE---(-)  
 PIN2:RED WIRE---(+)



**DIMENSIONS DRAWING(unit:mm)**

**P@Q CURVE(AT RATED VOLTAGE)**



Model	Bearing Mode①	Rated Vol	Freque ncy	Rated current	Rated input power	Speed	Maximum air Flow		Maximum Air pressure		Noise
		VDC	VDC	Amp	Watt		R. P. M	M3/min	CFM	mmH20	
PART. NO.		VDC	VDC	Amp	Watt	R. P. M	M3/min	CFM	mmH20	InH20	dB-A
AQL11045B12H	B=Ball S=Sleeve H=Hydraulic	12	6~13	0.30	3.60	3000	1.930	68.21	11.23	0.440	52.9
AQL11045B12HH		12	6~13	1.00	12.00	5000	2.860	101.16	25.94	1.020	62.7
AQL11045B24H		24	18~27	0.15	3.60	3000	1.930	68.21	11.23	0.440	52.9
AQL11045B24HH		24	18~27	0.50	12.00	5000	2.860	101.16	25.94	1.020	62.7

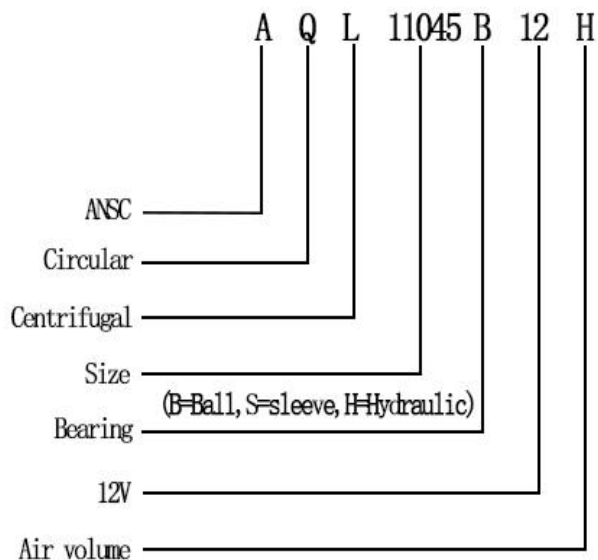
①Bearing Mode:Ball/ Sleeve/Hydraulic/Ball (UL)/Sleeve (UL)Hydraulic (UL)

②X=Function: FG RD RDL LD PWM TP VC RC CS RP SS AS CL IPX5

③A=Plug

④C=Customized by customers: Air volume, Air duct, Movement, Service life, Temperature, Noise, Material, Mold. etc.

导引： 编码规则Code Rule



\*PROPRIETARY AND CONFIDENTIAL , THE INFORMATION CONTAINED IN THIS DRAWING IS THE SOLE PROPERTY OF <ALL NEW SEMI>.  
ANY REPRODUCTION IN PART OR AS A WHOLE WITHOUT THE WRITTEN PERMISSION OF <ALL NEW SEMI> IS PROHIBITED.

<https://allnewsemi.com>  
<https://allnewsemi.shop>