



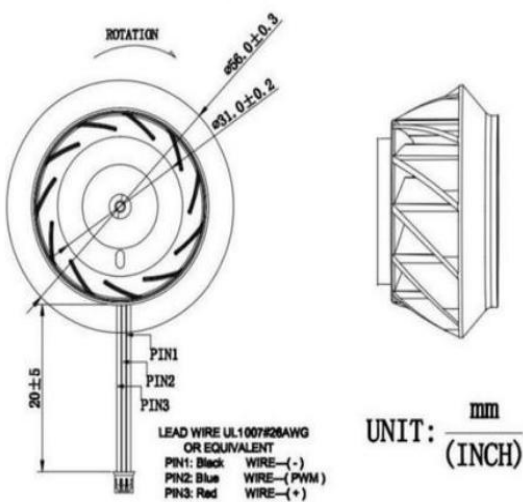
DC Centrifugal FAN

AQL5635B 56*35mm

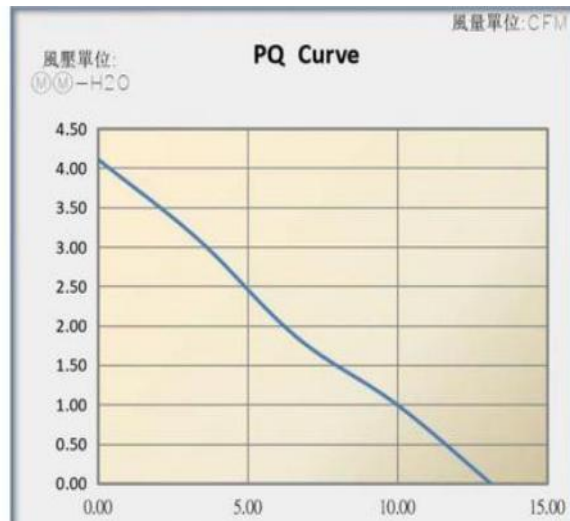
Motor:DC Centrifugal
 Bearing:Ball、Sleeve、Hydraulic
 Shell frame: PBT UL94V_0
 Fan blade: PBT UL94V_0
 Insulation:Class B
 Wire:AWG#26UL1007 (optional)
 PIN1:BLACK WIRE---(-)
 PIN2:RED WIRE---(+)



DIMENSIONS DRAWING(unit:mm)



P@Q CURVE(AT RATED VOLTAGE)



Model	Bearing Mode①	Rated Vol	Freque ncy	Rated current	Rated input power	Speed	Maximum air Flow		Maximum Air pressure		Noise
		VDC	VDC	Amp	Watt		R. P. M	M3/min	CFM	mmH2O	
PART. NO.		VDC	VDC	Amp	Watt	R. P. M	M3/min	CFM	mmH2O	InH2O	dB-A
AQL5635B05L	B=Ball S=Sleeve H=Hydraulic	5	3.5~6.5	0.27	1.35	4700	0.396	14.00	4.50	0.177	36.1
AQL5635B05H		5	3.5~6.5	0.29	1.44	5500	0.464	16.39	5.33	0.210	42.35
AQL5635B12L		12	6~13	0.11	1.35	4700	0.396	14.00	4.50	0.177	36.1
AQL5635B12H		12	6~13	0.12	1.44	5500	0.464	16.39	5.33	0.210	42.35

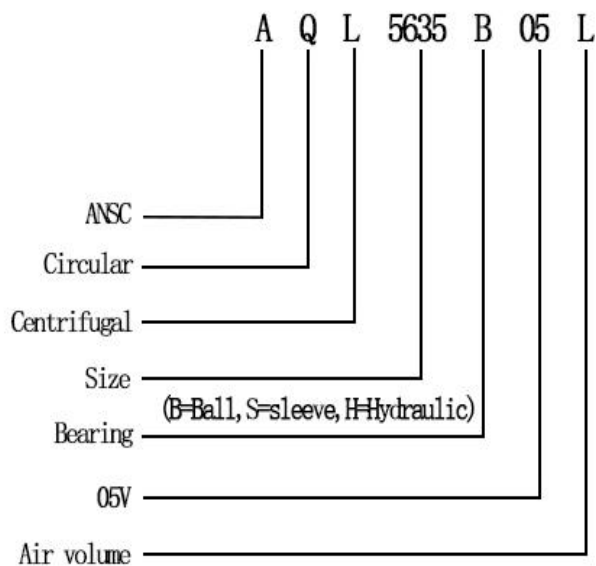
①Bearing Mode:Ball/ Sleeve/Hydraulic/Ball (UL)/Sleeve (UL)Hydraulic (UL)

②X=Function: FG RD RDL LD PWM TP VC RC CS RP SS AS CL IPX5

③A=Plug

④C=Customized by customers: Air volume, Air duct, Movement, Service life, Temperature, Noise, Material, Mold. etc.

导引： 编码规则Code Rule



*PROPRIETARY AND CONFIDENTIAL , THE INFORMATION CONTAINED IN THIS DRAWING IS THE SOLE PROPERTY OF <ALL NEW SEMI>.
ANY REPRODUCTION IN PART OR AS A WHOLE WITHOUT THE WRITTEN PERMISSION OF <ALL NEW SEMI> IS PROHIBITED.

<https://allnewsemi.com>
<https://allnewsemi.shop>